

Chesapeake Bay Planer Boards

Written by Capt Frank Tuma - Down Time Charters

Plans provided by Skip Zinc - Grady 25



Planer boards used in the Chesapeake need to provide a carrying capacity of 3 to 5 lures pulling substantial weight including large umbrella rigs.

Tips and Tricks



Connecting reel line to running line is easy with a Scotty Clip setup.

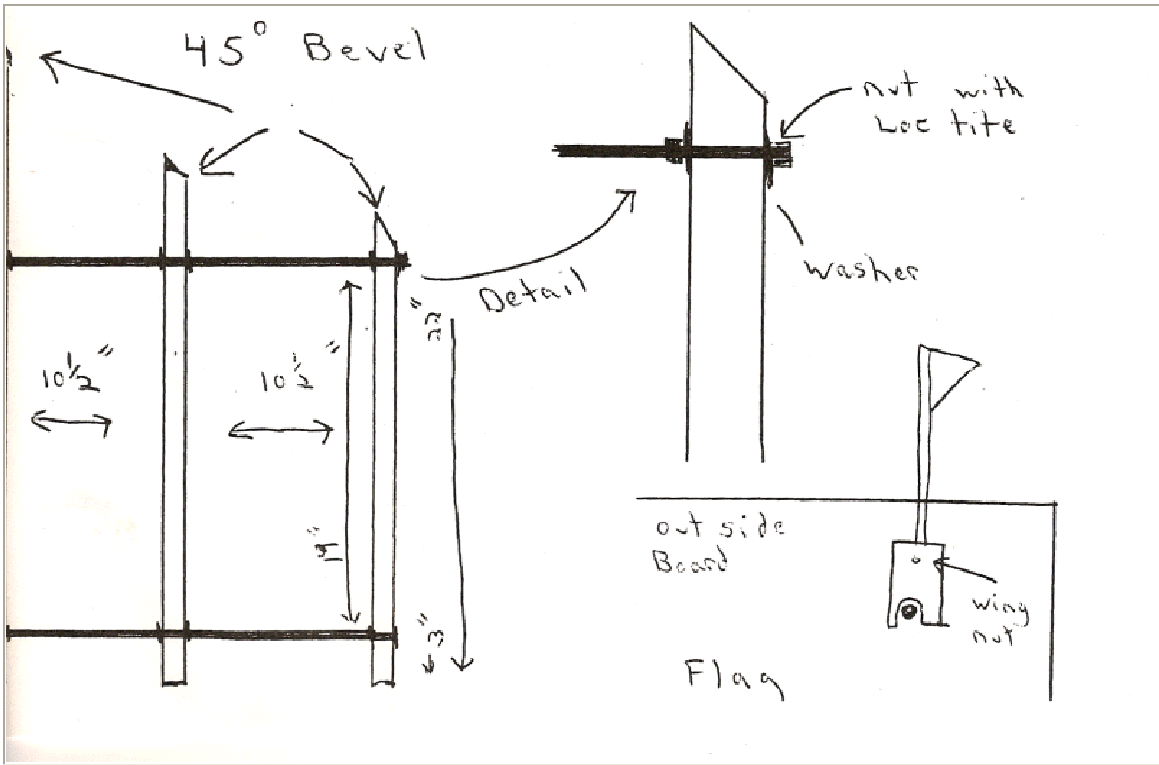
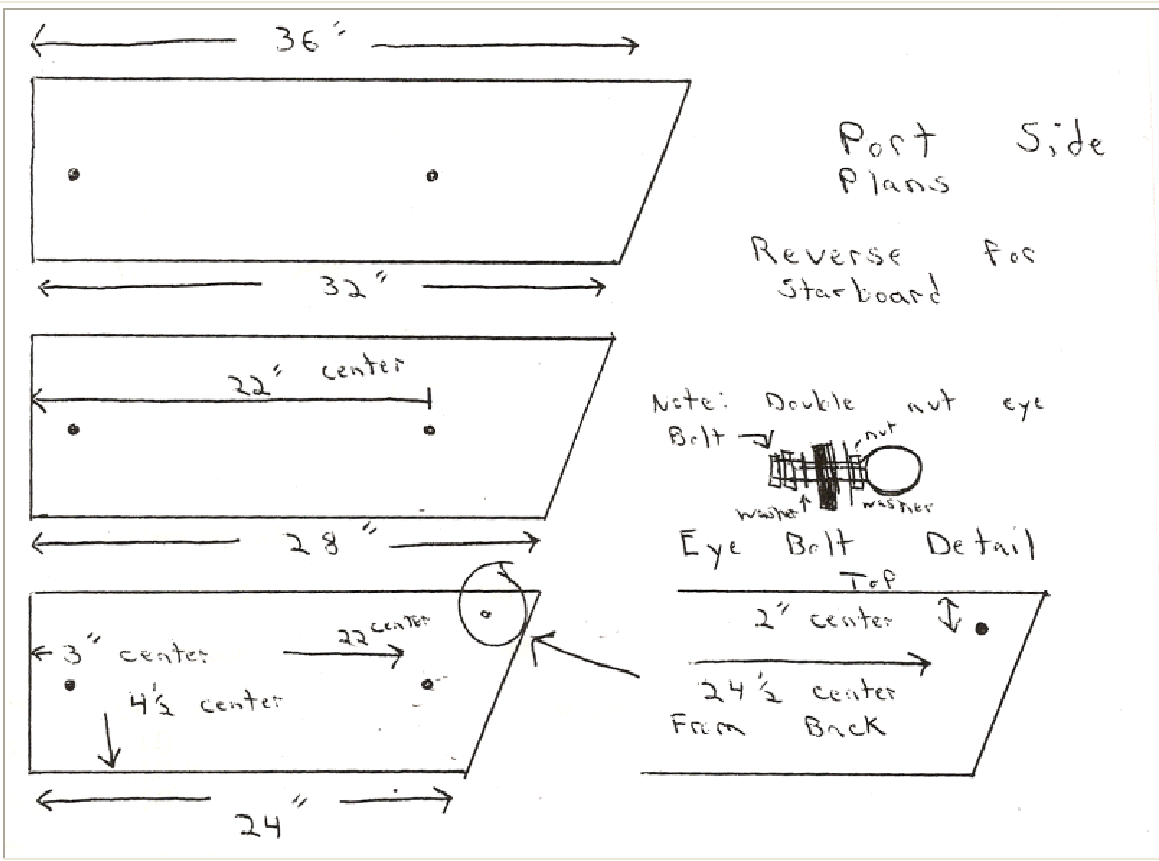


Planer line **MUST** run to top or highest point on boat and out to Planer



I use an old reel to hold planer board line when not in use. Old open face reels work good to store line and keep from getting tangled when retrieving line.
I use 150 foot on each side with boards running out to about 100-125 foot with bow in line. Planer line **MUST** run to top or highest point on boat and out to Planer

Plans for 3 Board Planner



MATERIAL LIST FOR ONE SET

- (2) 8 foot 1" x 10" #1 Pine - no big knots, try to find straight boards
- (30) 3/8" x 16" stainless steel nuts
- (28) 3/8" x 1 W' stainless steel fender washers
- (2) eye bolts stainless steel 3/8" x 16" - 2 W' - 3" long
- (4) 2' long 3/8" x 16" stainless steel all thread (may have to purchase (2) 6' pieces)
Alternative: use 3/8" x 24" "All Thread" from Home Depot or Hardware stores
- (2) bike flags with bracket
- (1) Lok Tite thread sealer (small tube)
- (1) quart orange paint - oil base is best
Alternative: paint with white house paint and spray paint with Florescent red

FOR FLAG - buy separate at Home Depot or Lowes's (2) 1/4" x 1 W' stainless steel bolt

- (2) W' stainless steel wing nut
- (2) W' stainless steel washer

NOTE: stainless steel hardware available in lots of qty (100) at Leonard Jed Company 1301 Covington Street, Baltimore, MD 410-685-1482. By purchasing in this large quantity the cost is approximately one third the price at a home discount center or marine store.

Alternative: Use galvanized Bolts, nuts and washers - will last 5 to 10 years at half the price and easy to get at any hardware store!

Additional EQUIPMENT LIST

- (1) extension cord reel - heavy plastic (4) stainless steel or brass clips (15-20) line clips
- (2) 100 feet lengths weed whacker cord bright color .095 diameter or Retail Planer Board Line